

THIS DRAWING IS UNPUBLISHED.

RELEASED FOR PUBLICATION

AUG ,2006.

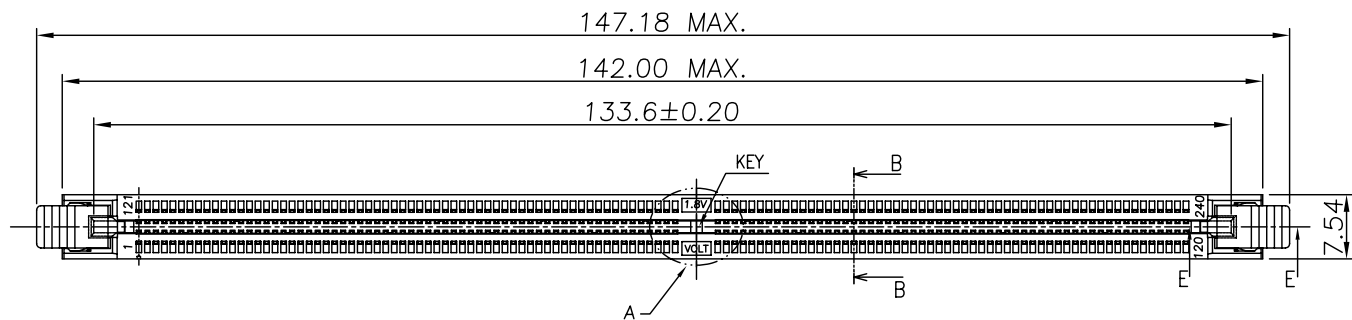
© COPYRIGHT BY TYCO ELECTRONICS CORPORATION. ALL RIGHTS RESERVED.

LOC DW

DIST

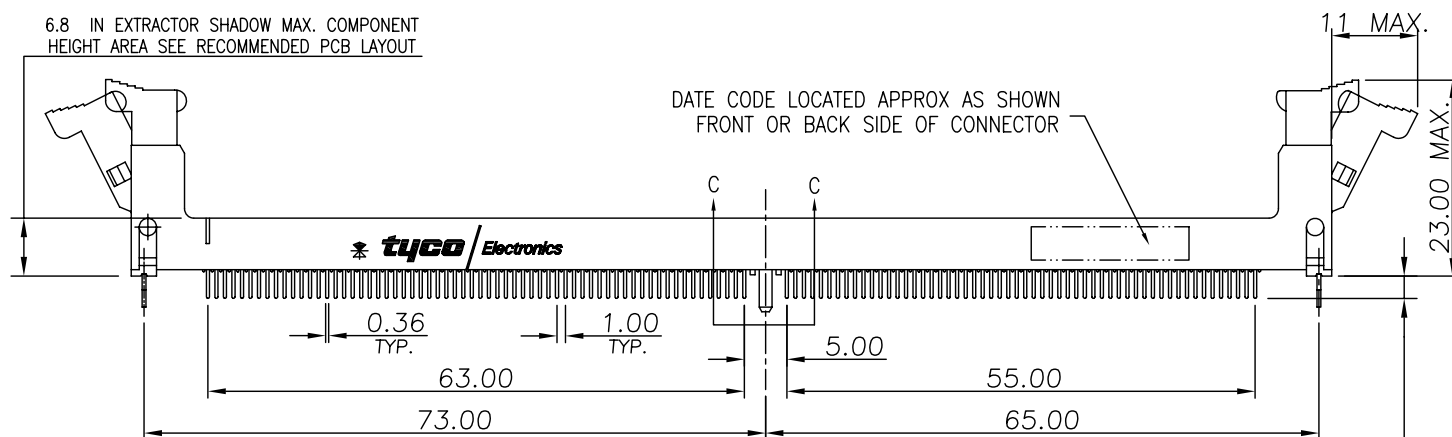
REVISIONS

P	LTR	DESCRIPTION	DATE	DWN	APVD
G1		REVISED (ECR-08-028758)	13NOV08	EL	WK

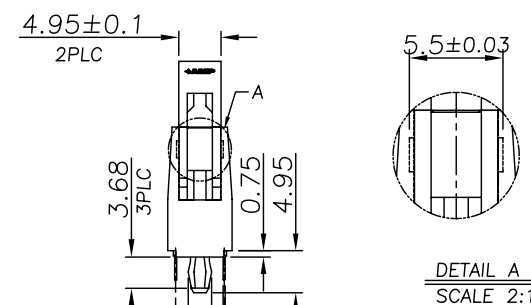


- NOTES:
- MATERIAL:
    - HOUSING: THERMOPLASTIC(PA46), UL94V-0; COLOR:SEE TABLE.
    - EXTRACTOR: THERMOPLASTIC, UL94V-0; COLOR:SEE TABLE.
    - CONTACTS: PHOSPHOR BRONZE
    - BOARDLOCK: BRASS
  - FINISH:
    - CONTACT:
      - GOLD PLATING ON CONTACT AREA,
      - 100μ" MIN. MATTE TIN PLATING ON SOLDER TAIL AREA,
      - 50μ" MIN. NICKEL UNDERPLATING OVERALL.
    - BOARDLOCK:
      - 100μ" MIN. MATTE TIN PLATING ON SOLDER TAILS.
      - 50μ" MIN. NICKEL UNDERPLATING OVERALL.
  - WAVE SOLDER CAPABLE TO 265°C PER TE SPEC. 109-202, CONDITION B.

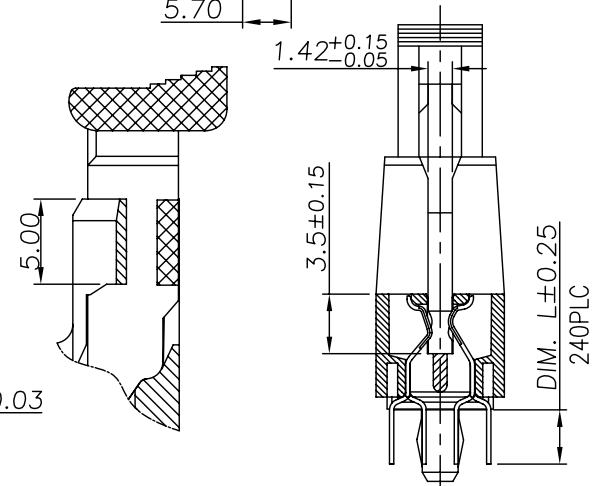
6.8 IN EXTRACTOR SHADOW MAX. COMPONENT HEIGHT AREA SEE RECOMMENDED PCB LAYOUT



2.67±0.25 FOR 1.6(.063)"THK PCB  
3.18±0.25 FOR 2.36(.093)"THK PCB

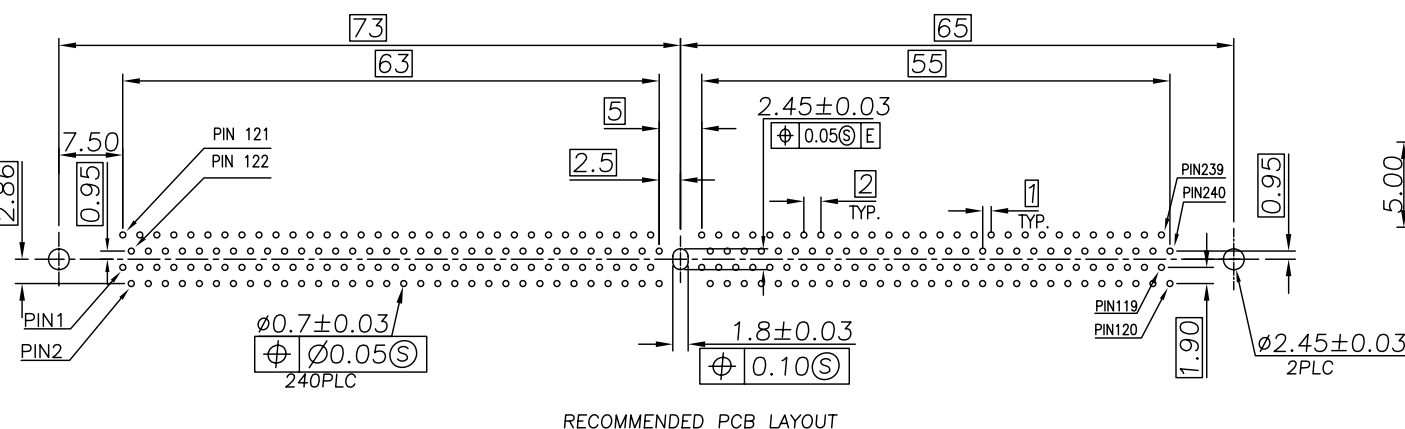


DETAIL A  
SCALE 2:1

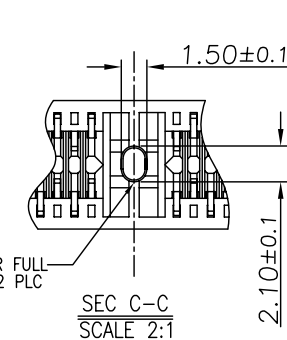


SEC E-E  
SCALE 2:1

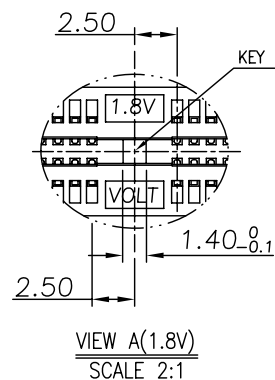
SEC B-B  
SCALE 2:1



RECOMMENDED PCB LAYOUT



SEC C-C  
SCALE 2:1



VIEW A(1.8V)  
SCALE 2:1

THIS DRAWING IS A CONTROLLED DOCUMENT.		DWN S. HOU 24AUG2007	Tyco Electronics Corporation Taipei, Taiwan	
DIMENSIONS: MM		CHK W.J. KE 24AUG2007	NAME	
TOLERANCES UNLESS OTHERWISE SPECIFIED:		APVD W.J. KE 24AUG2007	PRODUCT SPEC	
0 PLC ± -		108-57376		
1 PLC ± 0.3		QUALIFICATION TEST REPORT		
2 PLC ± 0.2		501-57407		
3 PLC ± -		WEIGHT 9.4 GRAMS		
4 PLC ± -		CUSTOMER DRAWING		
ANGLES ± 3'		SCALE		
MATERIAL SEE NOTE		FINISH SEE NOTE		
		SIZE A3		
		CAGE CODE 00779		
		DRAWING NO C=1775802		
		RESTRICTED TO		
		SHEET 1 OF 3		
		REV G1		

4

3

2

1

THIS DRAWING IS UNPUBLISHED.

RELEASED FOR PUBLICATION

AUG ,2006.

© COPYRIGHT BY TYCO ELECTRONICS CORPORATION. ALL RIGHTS RESERVED.

LOC

DIST

REVISIONS

DW

P

LTR

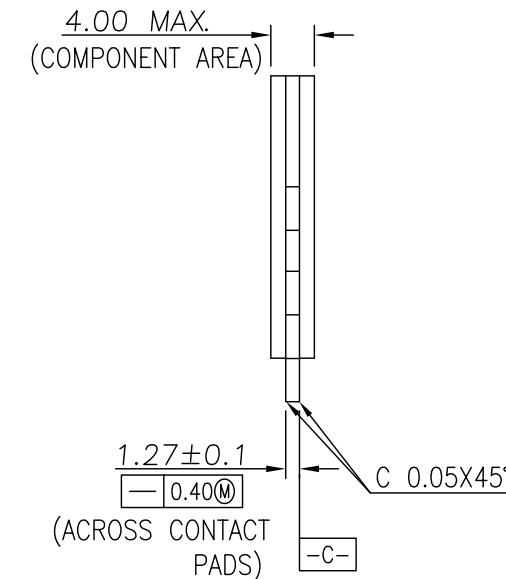
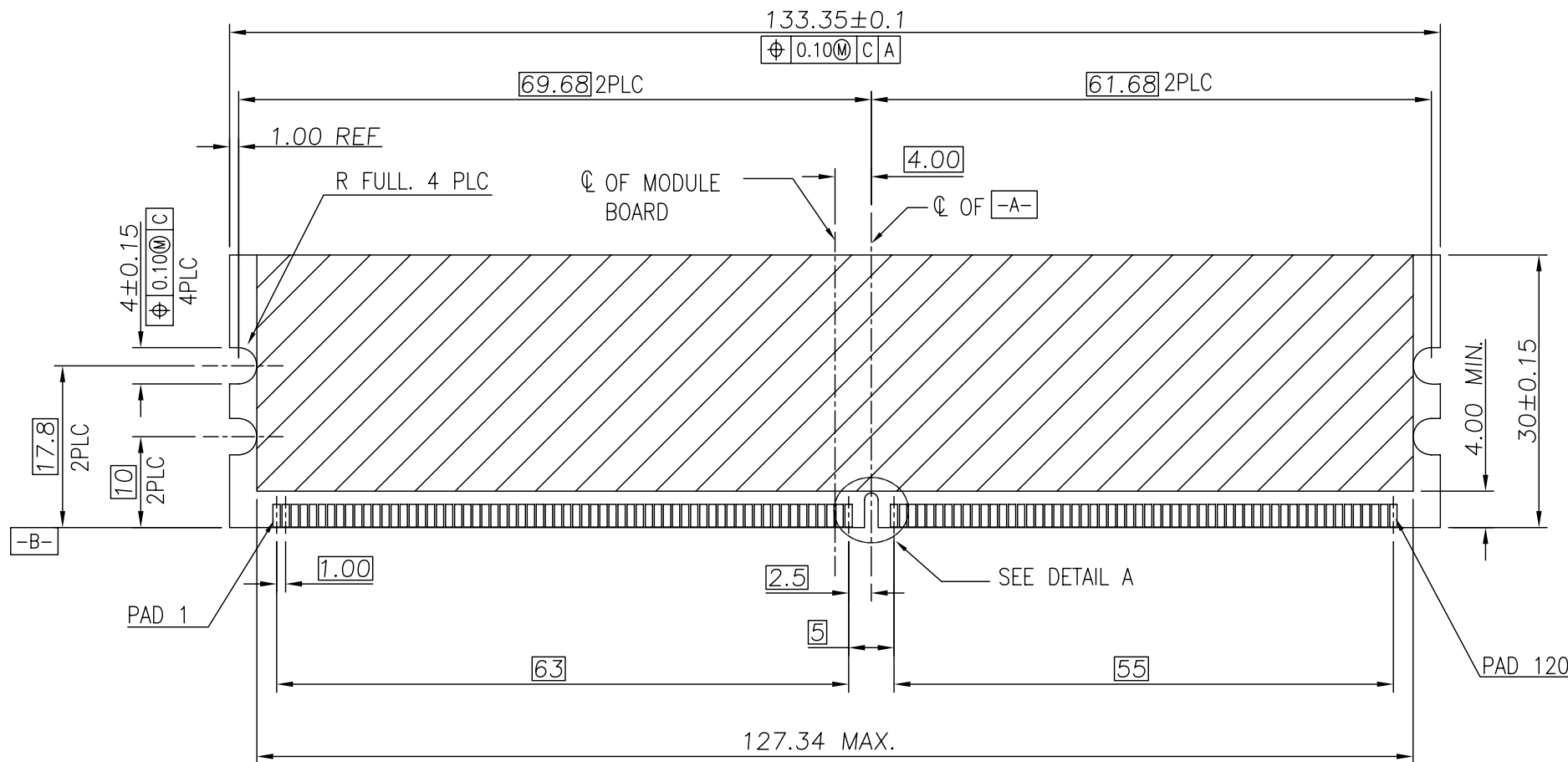
DESCRIPTION

DATE

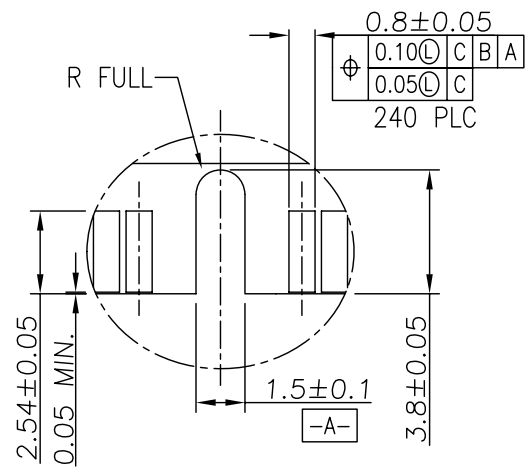
DWN

APVD

SEE SHEET 1



PLUG COMPONENT:DDR II 240P FUNCTION CARD



DETAIL A  
SCALE 3:1 (1.8V)

THIS DRAWING IS A CONTROLLED DOCUMENT.		DWN	Tyco Electronics Corporation Taipei, Taiwan	
DIMENSIONS: MM		CHK	NAME	
TOLERANCES UNLESS OTHERWISE SPECIFIED:		APVD	DDR II 240PIN SOCKET CONNECTOR	
0 PLC ± 0.1		PRODUCT SPEC	SIZE	CAGE CODE
1 PLC ± 0.05		QUALIFICATION TEST REPORT	DRAWING NO	RESTRICTED TO
2 PLC ± 0.02		WEIGHT	A3	00779
3 PLC ± 0.005		CUSTOMER DRAWING	C=1775802	
4 PLC ± -		SCALE	SHEET 2 of 3	
ANGLES ± 0.5°		REV	G1	
MATERIAL	FINISH			
SEE NOTE	SEE NOTE			

THIS DRAWING IS UNPUBLISHED.

RELEASED FOR PUBLICATION

AUG ,2006.

© COPYRIGHT BY TYCO ELECTRONICS CORPORATION.

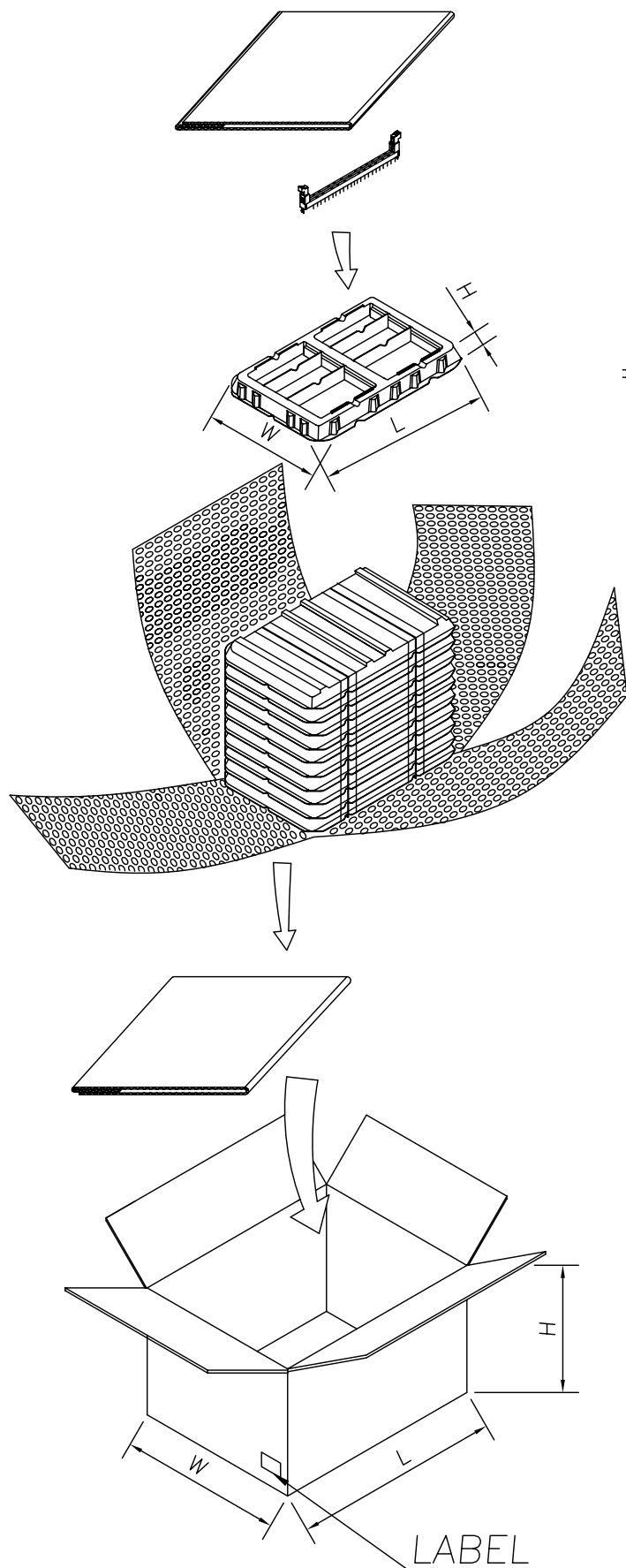
ALL RIGHTS RESERVED.

LOC DW

DIST

REVISIONS

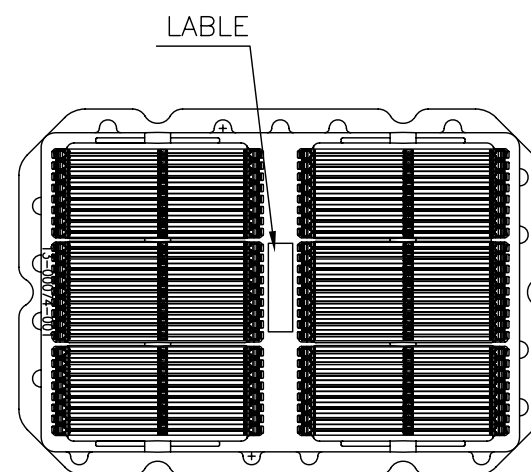
P	LTR	DESCRIPTION	DATE	DWN	APVD
		SEE SHEET 1			



TRAY

NOTES :

- 1. DIMENSION :
  - 1.1 TRAY: L=363, W=255, H=33
  - 1.1 SHIPPING BOX: L=380, W=270, H=340
- 2. QUANTITY :
  - 2.1 PRIMARY PACKING: 50 PCS/TRAY
  - 2.2 SECONDARY PACKING: 10 TRAYS/BOX(500PCS)
- 3. WEIGHT :
  - 3.1 NET WEIGHT : 4.7Kg
  - 3.2 GROSS WEIGHT : 6.95Kg



TRAY LAYOUT

SHIPPING BOX

THIS DRAWING IS A CONTROLLED DOCUMENT.		DWN	Tyco Electronics Corporation Taipei, Taiwan		
DIMENSIONS: MM		CHK	NAME		
TOLERANCES UNLESS OTHERWISE SPECIFIED:		APVD	DDRII 240PIN SOCKET CONNECTOR		
0 PLC ± -		PRODUCT SPEC	SIZE	CAGE CODE	DRAWING NO
1 PLC ± -		QUALIFICATION TEST REPORT	A3	00779	C=1775802
2 PLC ± -		WEIGHT	RESTRICTED TO		
3 PLC ± -		CUSTOMER DRAWING	SCALE		
4 PLC ± -			SHEET 3 of 3		
ANGLES ± -			REV G1		
MATERIAL	FINISH				
SEE NOTE	SEE NOTE				